

NO	REVISION	BY	DATE
A	FOR TENDER	TDP	20/09/10
B	FOR PRESENTATION	BB	8/11/10

Copyright of this drawing is vested in Spencer Holmes Ltd.
The Contractor shall verify all dimensions on site.

PROJECT HEAL AND PROTECT NEW COMMUNITY HALL POUTASI UPOLU - SAMOA

DWG No.

STRUCTURAL DRAWING REGISTER

DWG No.

ARCHITECTURAL DRAWING REGISTER

E09-922-00	B	DRAWING REGISTER
E09-922-10	B	NEW FOUNDATION AND GROUND FLOOR SLAB PLAN
E09-922-11	B	NEW BLOCKWORK PLAN AND ROOF FRAMING PLAN
E09-922-12	B	NEW BLOCKWORK WALL ELEVATIONS AT GRID 2 AND 5
E09-922-13	B	NEW BLOCKWORK WALL ELEVATIONS AT GRID B AND H
E09-922-14	B	NEW BUILDING ELEVATIONS AT GRID 1 AND 6
E09-922-15	B	TYPICAL BUILDING SECTION AND CANOPY FRAMING PLAN ABOVE PORCH
E09-922-20	B	TYPICAL CONCRETE AND BLOCKWORK DETAILS
E09-922-21	B	TYPICAL CONCRETE AND BLOCKWORK DETAILS
E09-922-22	B	TYPICAL STEELWORK DETAILS FOR ROOF BEAM AND BARREL ROOF
E09-922-23	B	TYPICAL TIMBER DETAILS

A2.00	1	PROPOSED SITE PLAN AND ABLUTIONS BLOCK
A2 01	1	PROPOSED FLOOR PLAN
A4 00	1	PROPOSED ELEVATIONS
A5 00	1	PROPOSED SECTION A-A



REGISTER UPDATED - NOVEMBER 2010

FOR PRESENTATION
8 NOV 2010

SpencerHolmes
engineers • surveyors • planners

Level 6
PO Box 588
Phone (04) 472-2281
Email admin@spencerholmes.co.nz

8 Willis Street
Wellington, NZ
Fax (04) 471-2372

CLIENT
PROJECT HEAL AND PROTECT

PRINCIPAL CONSULTANT
BARRY MILLAGE
CONSULTANT ARCHITECT

PROJECT
NEW COMMUNITY HALL
POUTASI UPOLU
SAMOA

DRAWING TITLE
DRAWING REGISTER

DESIGNED KGC
DRAWN BB
CHECKED -

CAD FILE E090922-00
FIELD BOOK =
DATE SEP 2010

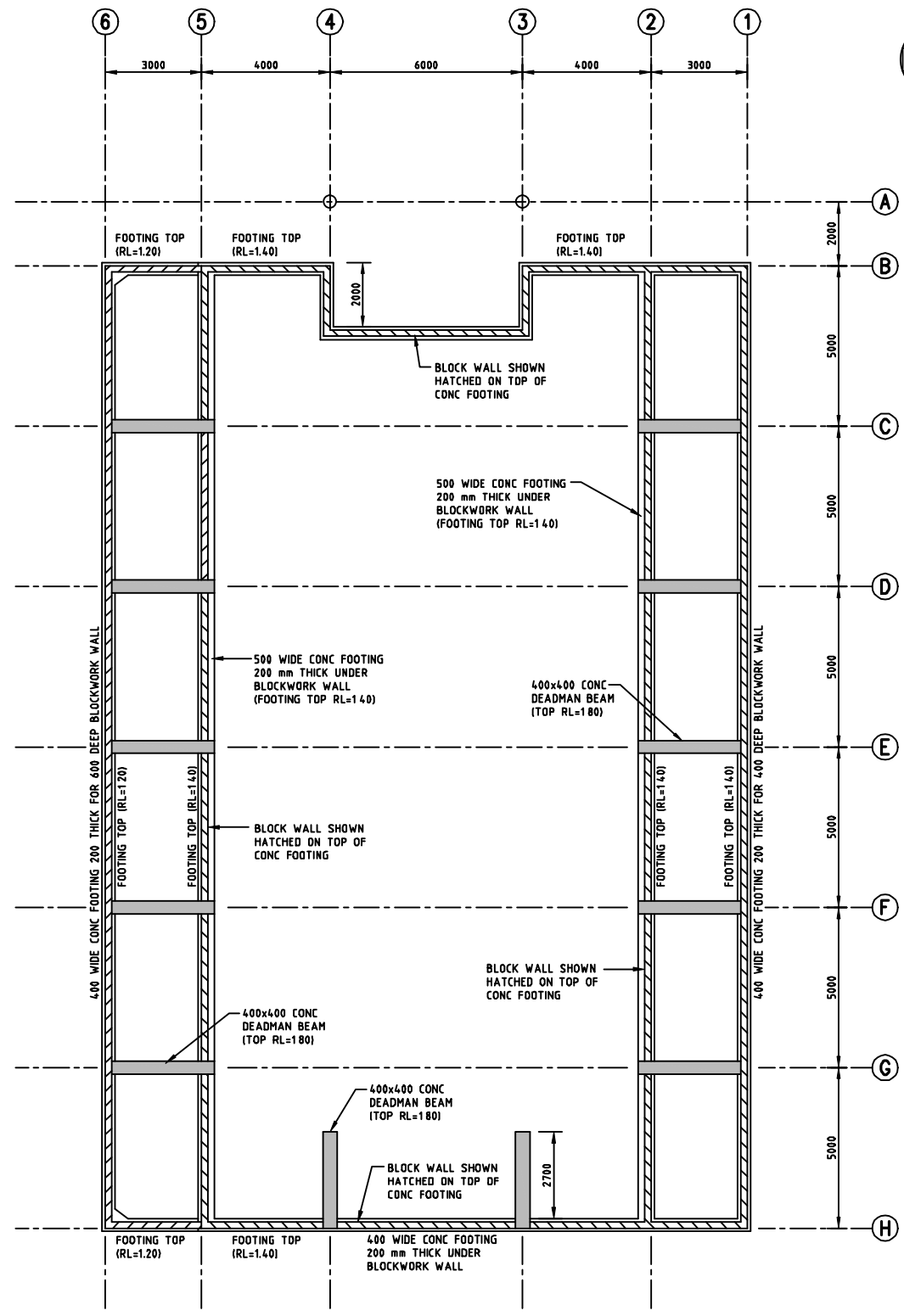
SCALE AS SHOWN
DRAWING NUMBER E09-922-00

SIZE A1
REV B

RESOURCE MANAGEMENT - LAND PLANNING - SURVEYING - STRUCTURAL - CIVIL - FIRE

NO	REVISION	BY	DATE
A	FOR TENDER	TDP	20/09/10
B	FOR PRESENTATION	BB	8/11/10

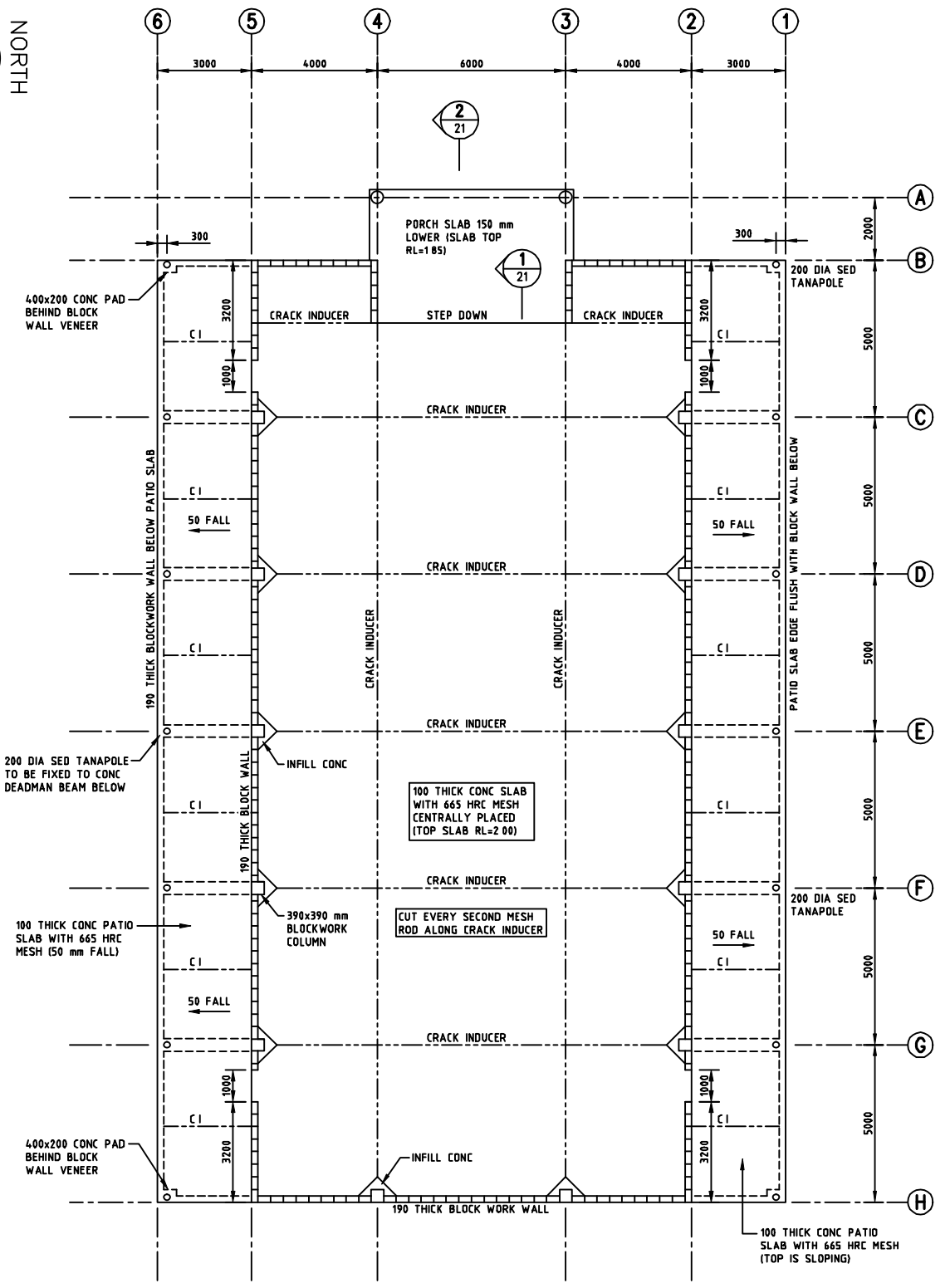
Copyright of this drawing is vested in Spencer Holmes Ltd.
The Contractor shall verify all dimensions on site.



FOUNDATION PLAN
SCALE 1:100 AT A1 (1:200 AT A3)



NORTH



GROUND FLOOR SLAB PLAN
SCALE 1:100 AT A1 (1:200 AT A3)

FOR PRESENTATION
8 NOV 2010

SpencerHolmes
engineers · surveyors · planners

Level 6
PO Box 588
Phone (04) 472-2281
Email admin@spencerholmes.co.nz

B Willis Street
Wellington, NZ
Fax (04) 471-2372

CLIENT
PROJECT HEAL AND PROTECT

PRINCIPAL CONSULTANT
BARRY MILLAGE
CONSULTANT ARCHITECT

PROJECT
NEW COMMUNITY HALL
POUTASI UPOLU
SAMOA

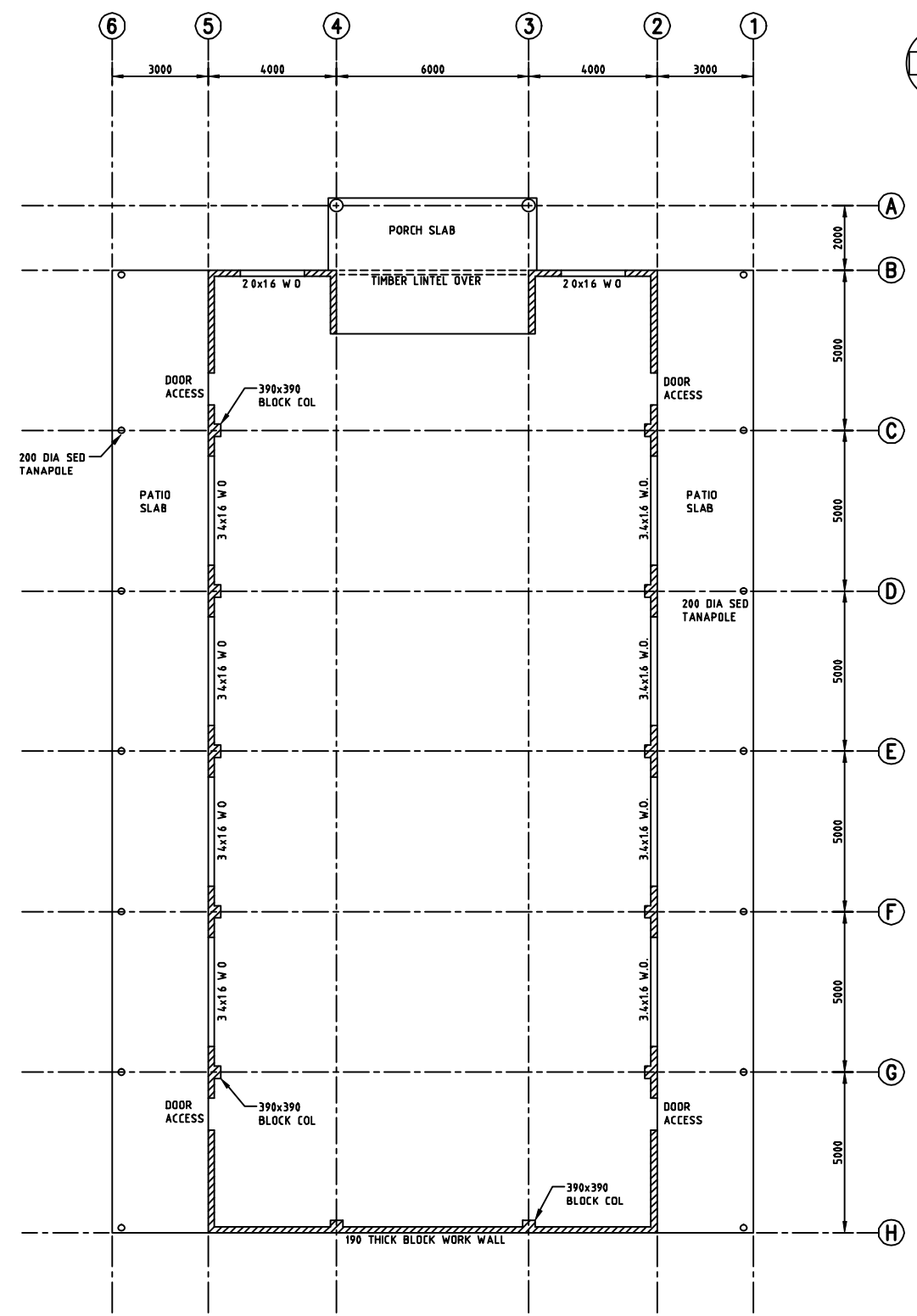
DRAWING TITLE
NEW FOUNDATION AND
GROUND FLOOR SLAB PLAN

DESIGNED	KGC	CAD FILE	E090922-10
DRAWN	BB	FIELD BOOK	
CHECKED	-	DATE	FEB 2010
SCALE	AS SHOWN	SIZE	A1
DRAWING NUMBER	E09-922-10	REV	B

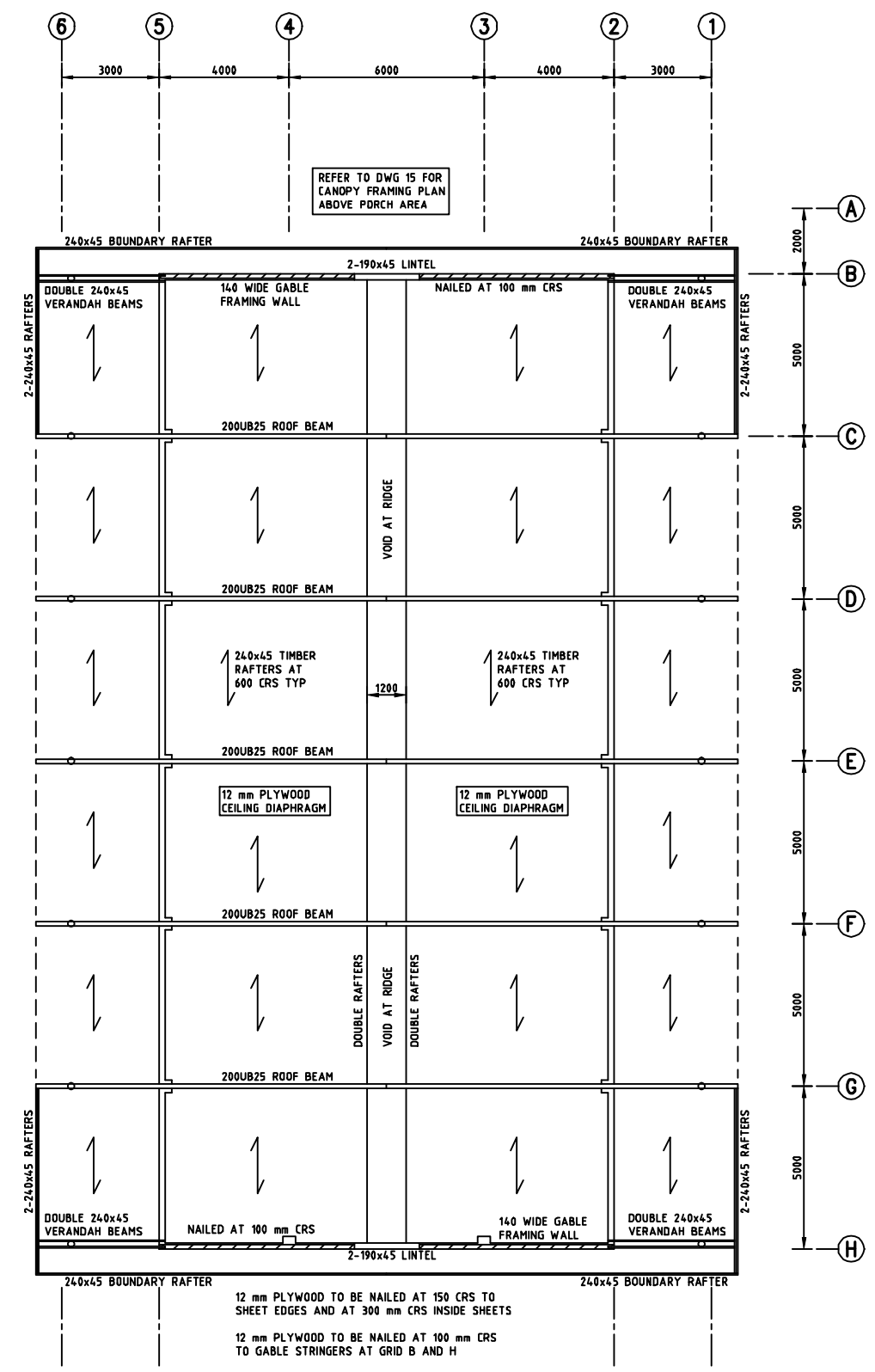
RESOURCE MANAGEMENT - LAND PLANNING - SURVEYING - STRUCTURAL - CIVIL - FIRE

NO	REVISION	BY	DATE
A	FOR TENDER	TDP	20/09/10
B	FOR PRESENTATION	BB	8/11/10

Copyright of this drawing is vested in Spencer Holmes Ltd.
The Contractor shall verify all dimensions on site.



BLOCKWORK LAYOUT PLAN
SCALE 1:100 AT A1 (1:200 AT A3)



ROOF FRAMING PLAN
SCALE 1:100 AT A1 (1:200 AT A3)

12 mm PLYWOOD TO BE NAILED AT 150 CRS TO SHEET EDGES AND AT 300 mm CRS INSIDE SHEETS
12 mm PLYWOOD TO BE NAILED AT 100 mm CRS TO GABLE STRINGERS AT GRID B AND H
GABLE FRAMING BOTTOM PLATE TO BE BOLTED WITH M12 AT 800 CRS TO BLOCK WALL TOP.
190x45 TOP PLATE BOLTED WITH M12 AT 1200 CRS TO TOP OF BLOCK WALL AT GRIDS 2 AND 5

FOR PRESENTATION
8 NOV 2010

SpencerHolmes
engineers · surveyors · planners

Level 6
PO Box 588
Phone (04) 472-2261
Email admin@spencerholmes.co.nz

8 Willis Street
Wellington, NZ
Fax (04) 471-2372

CLIENT
PROJECT HEAL AND PROTECT

PRINCIPAL CONSULTANT
BARRY MILLAGE
CONSULTANT ARCHITECT

PROJECT
NEW COMMUNITY HALL
PUTASI UPOLU
SAMOA

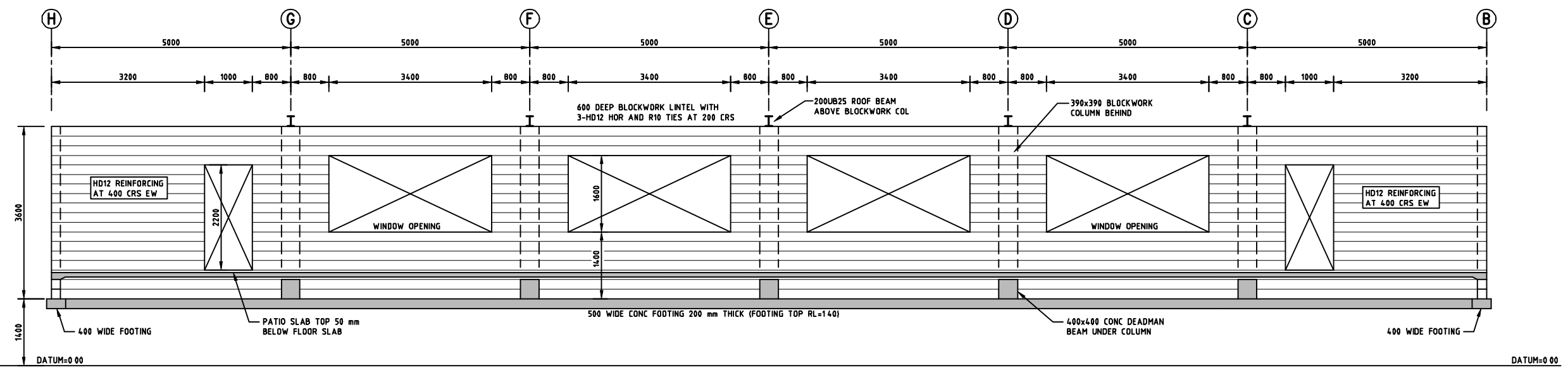
DRAWING TITLE
NEW BLOCKWORK PLAN
AND ROOF FRAMING PLAN

DESIGNED	KGC	CAD FILE	E09022-11
DRAWN	BB	FIELD BOOK	
CHECKED	-	DATE	FEB 2010
SCALE	AS SHOWN	SIZE	A1
DRAWING NUMBER	E09-922-11	REV	B

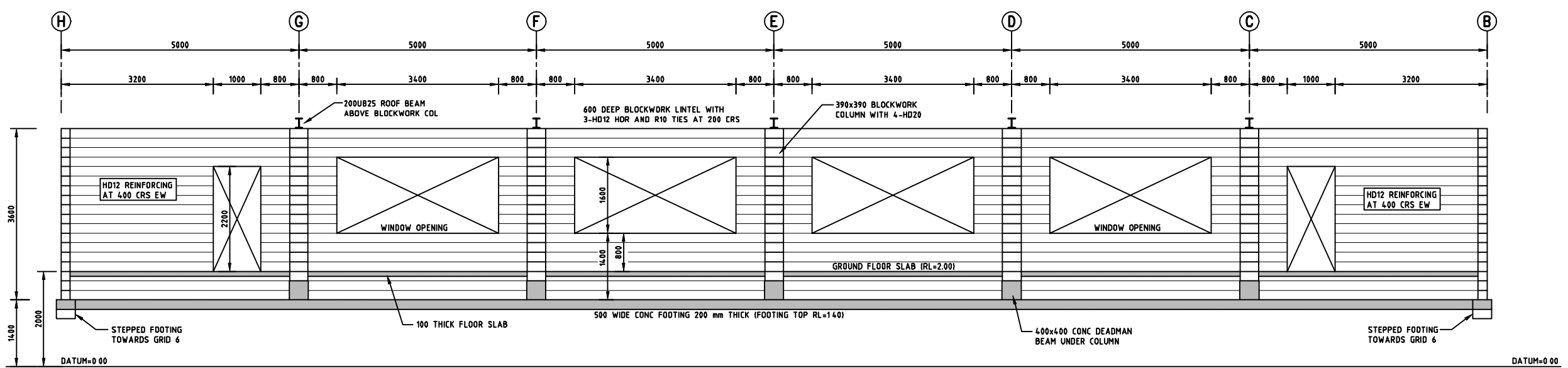
RESOURCE MANAGEMENT - SURVEYING - STRUCTURAL - CIVIL - FIRE

NO	REVISION	BY	DATE
A	FOR TENDER	TDP	20/09/10
B	FOR PRESENTATION	BB	8/11/10

Copyright of this drawing is vested in Spencer Holmes Ltd.
The Contractor shall verify all dimensions on site.



BLOCKWORK WALL ELEVATION AT GRID 2
SCALE 1:50 AT A1 (1:100 AT A3) (OUTSIDE VIEWED)



BLOCKWORK WALL ELEVATION AT GRID 5
SCALE 1:50 AT A1 (1:100 AT A3) (INSIDE VIEWED)

FOR PRESENTATION
8 NOV 2010

SpencerHolmes
engineers • surveyors • planners

Level 6
PO Box 588
Phone (04) 472-2261
Email admin@spencerholmes.co.nz

8 Willis Street
Wellington, NZ
Fax (04) 471-2372
Email admin@spencerholmes.co.nz

CLIENT
PROJECT HEAL AND PROTECT

PRINCIPAL CONSULTANT
BARRY MILLAGE
CONSULTANT ARCHITECT

PROJECT
**NEW COMMUNITY HALL
PUTASI UPOLU
SAMOA**

DRAWING TITLE
**NEW BLOCKWORK
WALL ELEVATIONS
AT GRID 2 AND 5**

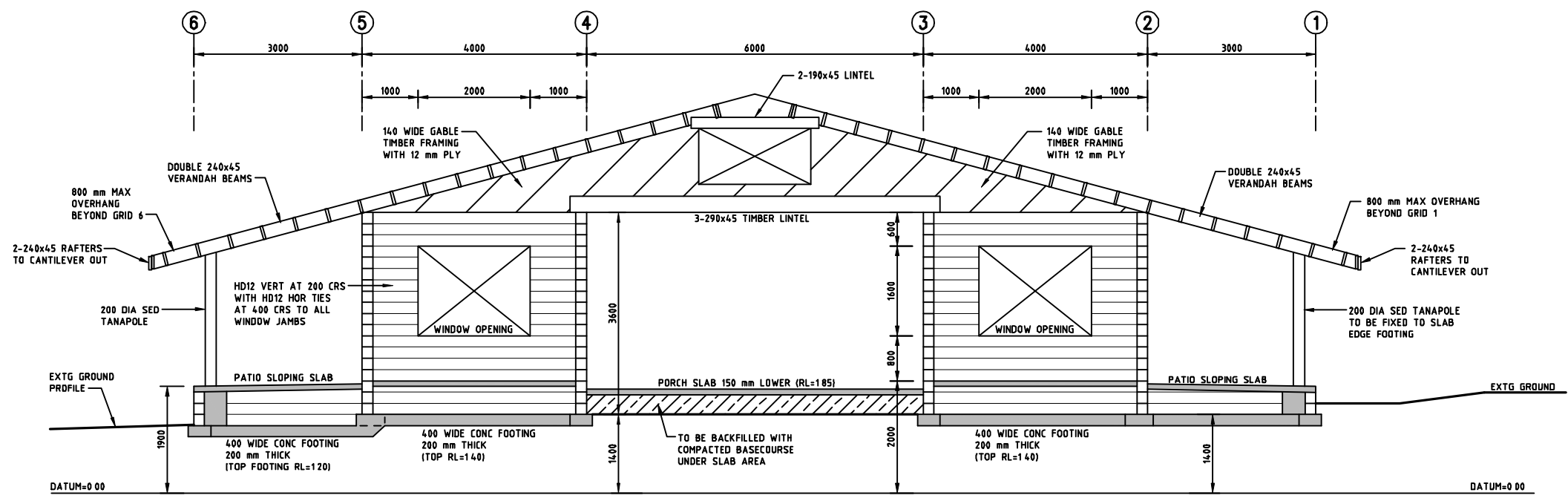
DESIGNED	KGC	CAD FILE	E090922-12
DRAWN	BB	FIELD BOOK	
CHECKED	-	DATE	FEB 2010

SCALE	AS SHOWN	SIZE	A1
DRAWING NUMBER	E09-922-12	REV	B

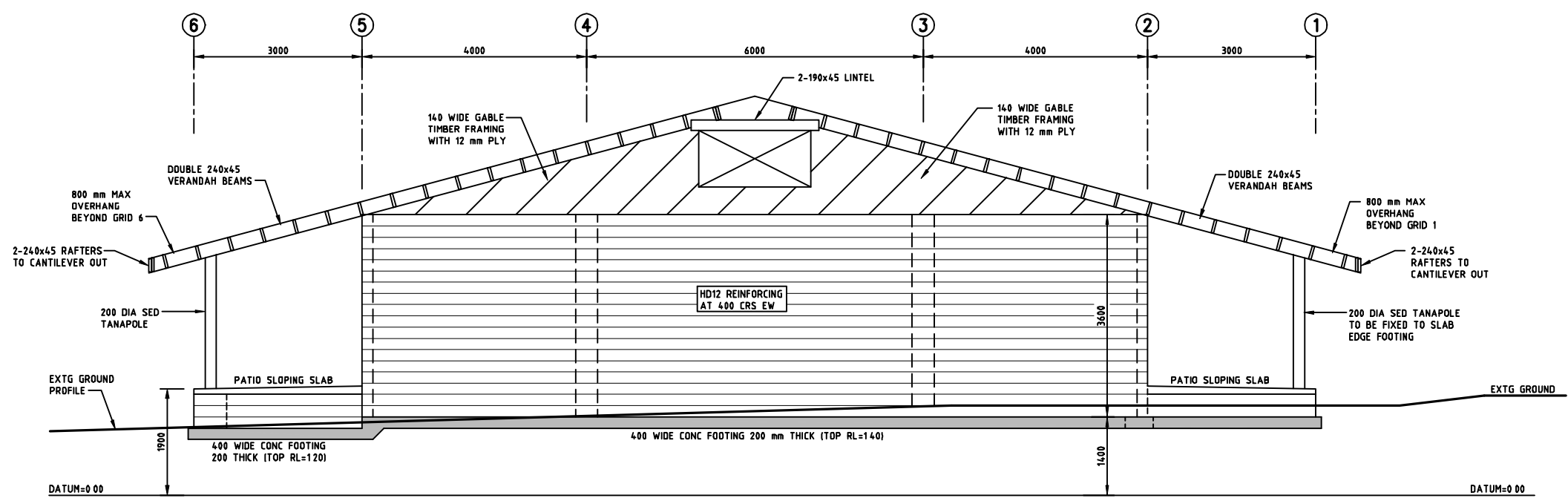
RESOURCE MANAGEMENT - SURVEYING - LAND PLANNING - STRUCTURAL - CIVIL - FIRE

NO	REVISION	BY	DATE
A	FOR TENDER	TOP	20/09/10
B	FOR PRESENTATION	BB	8/11/10

Copyright of this drawing is vested in Spencer Holmes Ltd.
The Contractor shall verify all dimensions on site.



BLOCKWORK WALL ELEVATION AT GRID B
SCALE 150 AT A1 (1100 AT A3) (INSIDE VIEWED)



BLOCKWORK WALL ELEVATION AT GRID H
SCALE 150 AT A1 (1100 AT A3) (INSIDE VIEWED)

FOR PRESENTATION
8 NOV 2010

SpencerHolmes
engineers · surveyors · planners

Level 6
PO Box 588
Phone (04) 472-2261
Email admin@spencerholmes.co.nz

8 Willis Street
Wellington, NZ
Fax (04) 471-2372

CLIENT
PROJECT HEAL AND PROTECT

PRINCIPAL CONSULTANT
BARRY MILLAGE
CONSULTANT ARCHITECT

PROJECT
**NEW COMMUNITY HALL
PUTASI UPOLU
SAMOA**

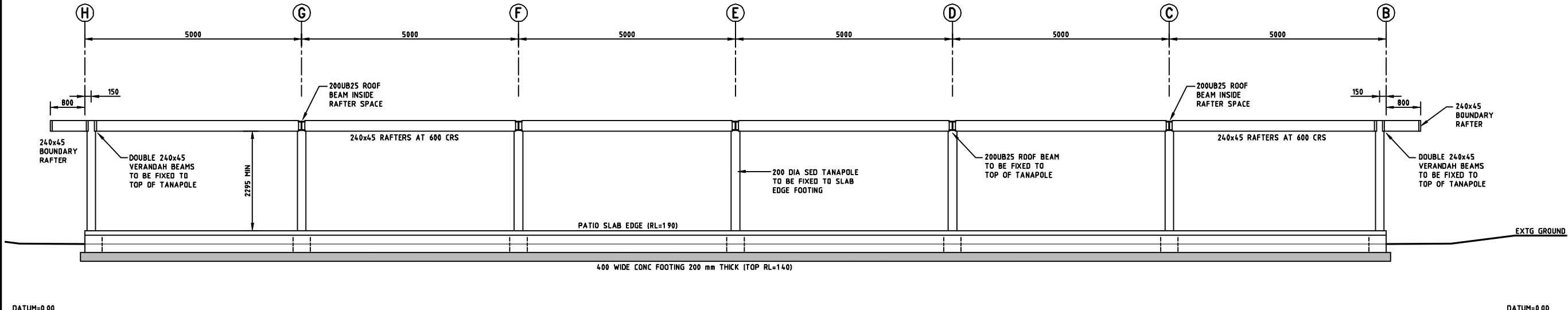
DRAWING TITLE
**NEW BLOCKWORK
WALL ELEVATIONS
AT GRID B AND H**

DESIGNED	KGC	CAD FILE	E09022-13
DRAWN	BB	FIELD BOOK	=
CHECKED	-	DATE	FEB 2010
SCALE	AS SHOWN	SIZE	A1
DRAWING NUMBER	E09-922-13	REV	B

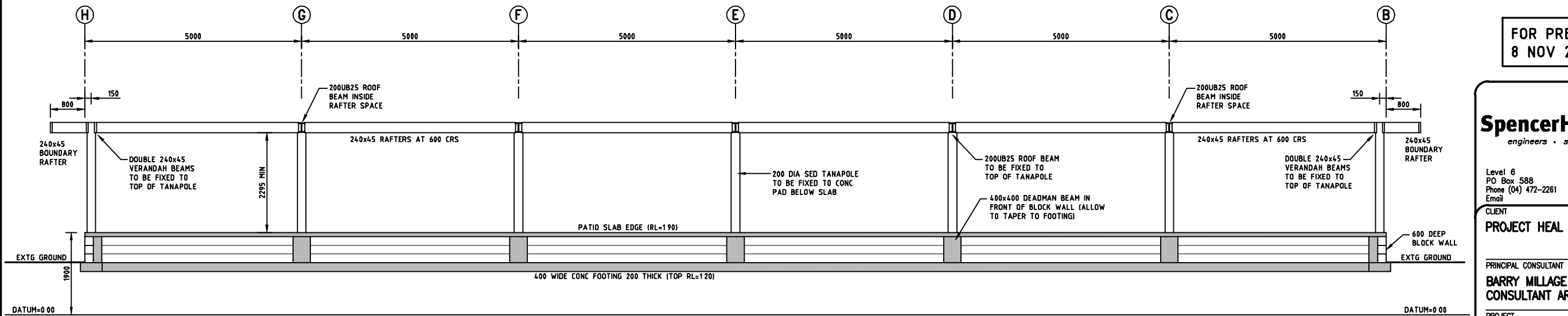
RESOURCE MANAGEMENT - SURVEYING - LAND PLANNING - STRUCTURAL - CIVIL - FIRE

NO	REVISION	BY	DATE
A	FOR TENDER	TOP	20/09/10
B	FOR PRESENTATION	BB	8/11/10

Copyright of this drawing is vested in Spencer Holmes Ltd.
The Contractor shall verify all dimensions on site.



ELEVATION OF VERANDAH POLES AND PATIO SLAB AT GRID 1
SCALE 1:50 AT A1 (1:100 AT A3) (OUTSIDE VIEWED)



ELEVATION OF BLOCK WALL WITH VERANDAH STRUCTURE AT GRID 6
SCALE 1:50 AT A1 (1:100 AT A3) (INSIDE VIEWED)

FOR PRESENTATION
8 NOV 2010

SpencerHolmes
engineers • surveyors • planners

Level 6
PO Box 588
Phone (04) 472-2261
Email admin@spencerholmes.co.nz

8 Willis Street
Wellington, NZ
Fax (04) 471-2372

CLIENT
PROJECT HEAL AND PROTECT

PRINCIPAL CONSULTANT
BARRY MILLAGE
CONSULTANT ARCHITECT

PROJECT
**NEW COMMUNITY HALL
PUTASI UPOLU
SAMOA**

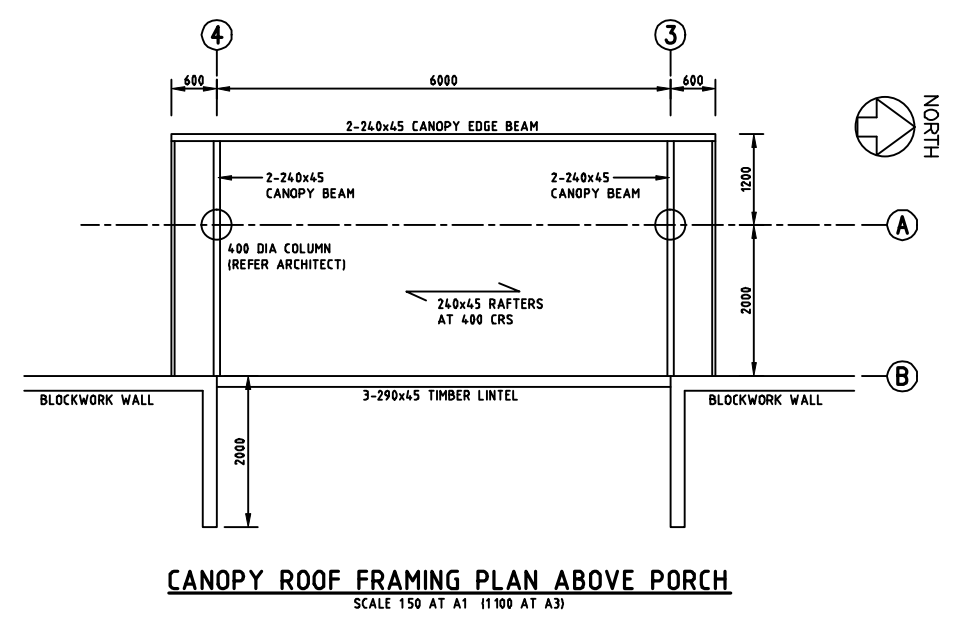
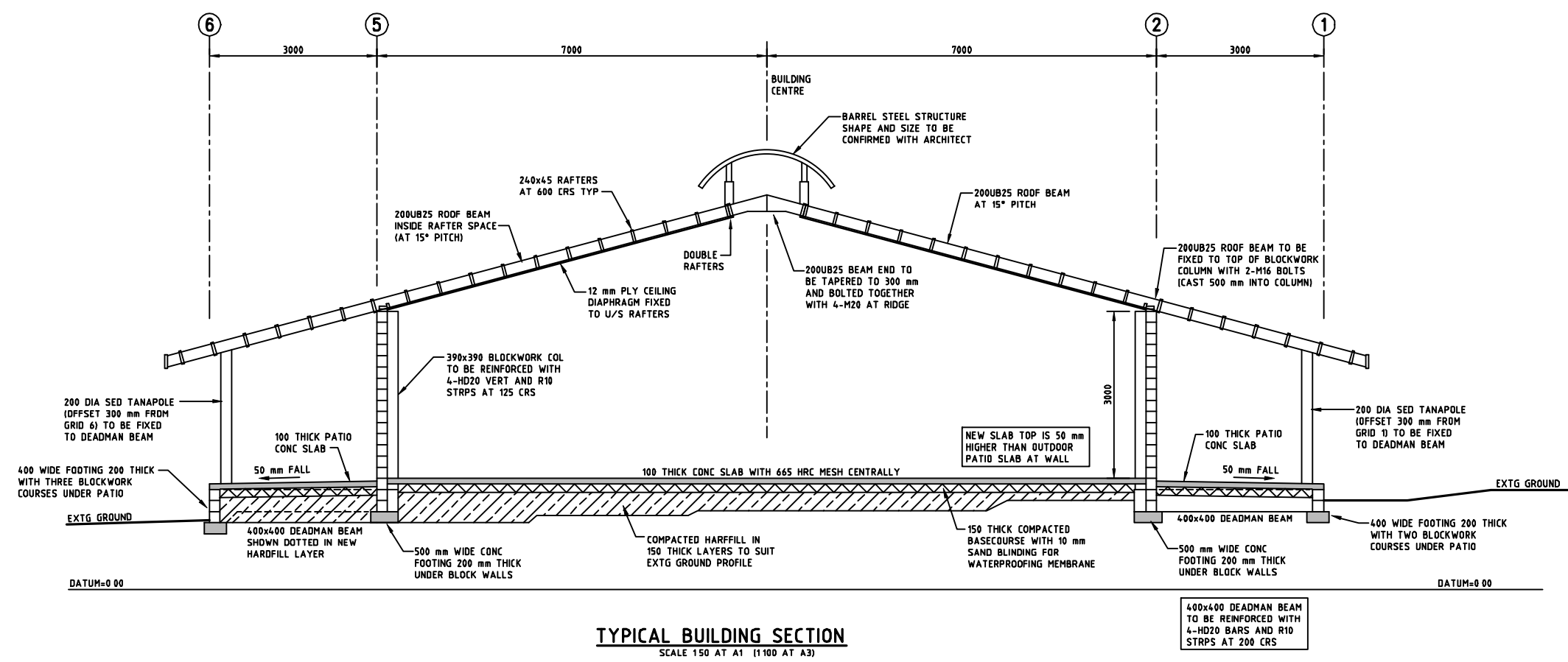
DRAWING TITLE
**NEW BUILDING ELEVATIONS
AT GRID 1 AND 6**

DESIGNED	KGC	CAD FILE	E09022-14
DRAWN	BB	FIELD BOOK	
CHECKED	-	DATE	FEB 2010
SCALE	AS SHOWN	SIZE	A1
DRAWING NUMBER	E09-922-14	REV	B

RESOURCE MANAGEMENT - SURVEYING - LAND PLANNING - STRUCTURAL - CIVIL - FIRE

NO	REVISION	BY	DATE
A	FOR TENDER	TDP	20/09/10
B	FOR PRESENTATION	BB	8/11/10

Copyright of this drawing is vested in Spencer Holmes Ltd.
The Contractor shall verify all dimensions on site.



FOR PRESENTATION
8 NOV 2010

SpencerHolmes
engineers · surveyors · planners

Level 6
PO Box 588
Phone (04) 472-2281
Email

8 Willis Street
Wellington, NZ
Fax (04) 471-2372
admin@spencerholmes.co.nz

CLIENT
PROJECT HEAL AND PROTECT

PRINCIPAL CONSULTANT
BARRY MILLAGE
CONSULTANT ARCHITECT

PROJECT
NEW COMMUNITY HALL
POUTASI UPOLU
SAMOA

DRAWING TITLE
TYPICAL BUILDING SECTION
AND CANOPY FRAMING
PLAN ABOVE PORCH

DESIGNED	KGC	CAD FILE	E090922-15
DRAWN	BB	FIELD BOOK	
CHECKED	-	DATE	FEB 2010

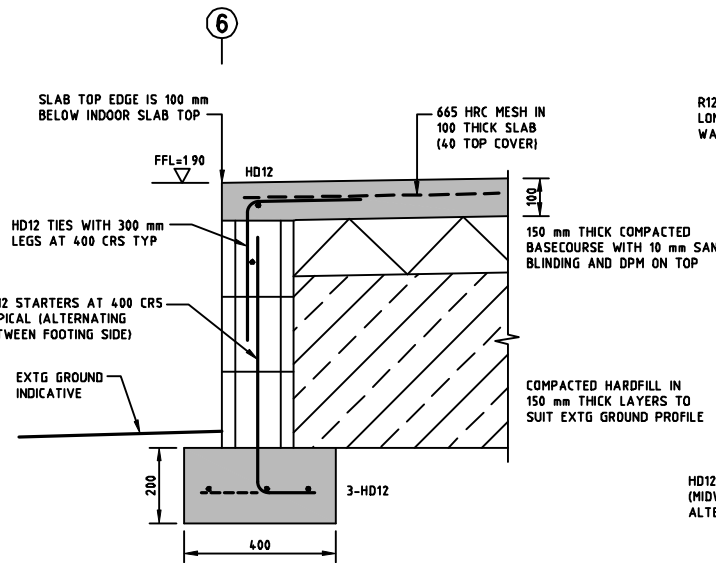
SCALE	AS SHOWN	SIZE	A1
DRAWING NUMBER	E09-922-15	REV	B

RESOURCE MANAGEMENT - LAND PLANNING - SURVEYING - STRUCTURAL - CIVIL - FIRE

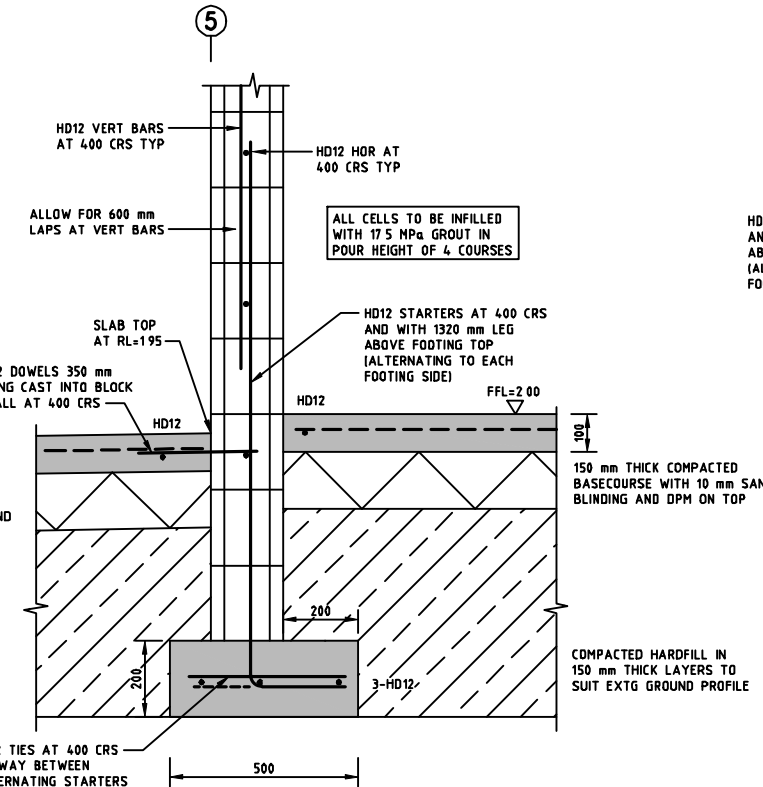
NO	REVISION	BY	DATE
A	FOR TENDER	TDP	20/09/10
B	FOR PRESENTATION	BB	8/11/10

Copyright of this drawing is vested in Spencer Holmes Ltd.
The Contractor shall verify all dimensions on site.

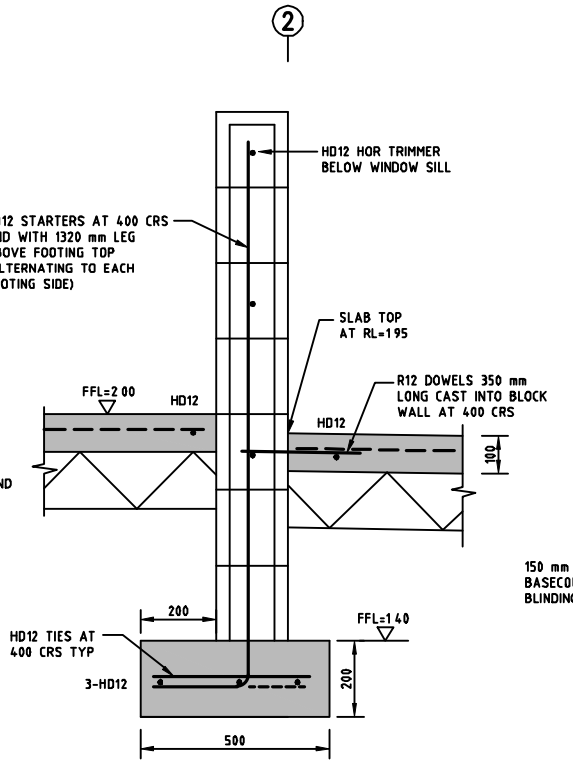
RESOURCE MANAGEMENT - SURVEYING - LAND PLANNING - STRUCTURAL - CIVIL - FIRE



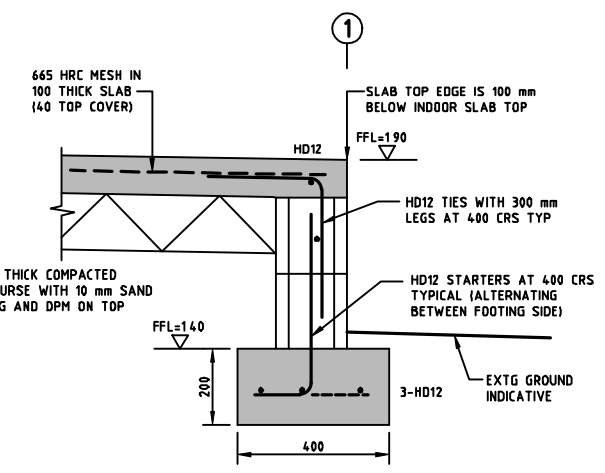
PATIO FOOTING/SLAB EDGE (GRID 6)
SCALE 1:10 AT A1 (1:20 AT A3)



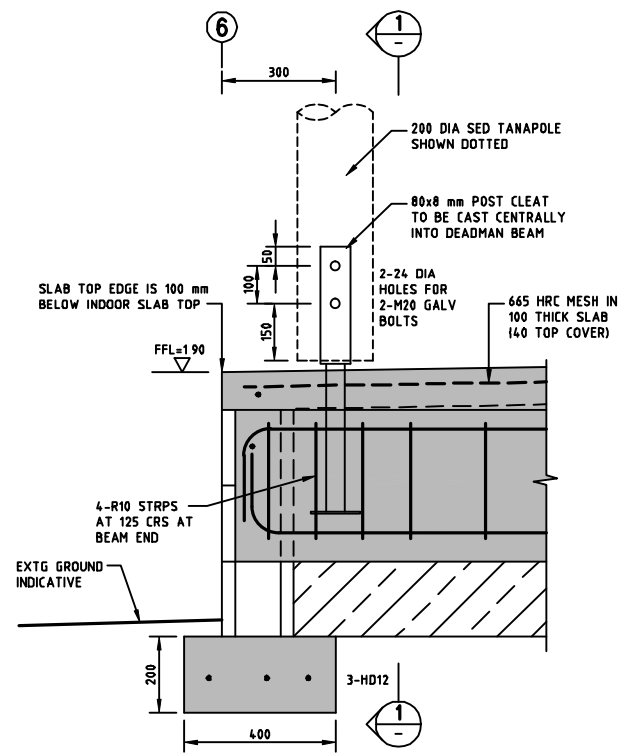
WALL FOOTING/SLAB DETAIL (GRID 5)
SCALE 1:10 AT A1 (1:20 AT A3)



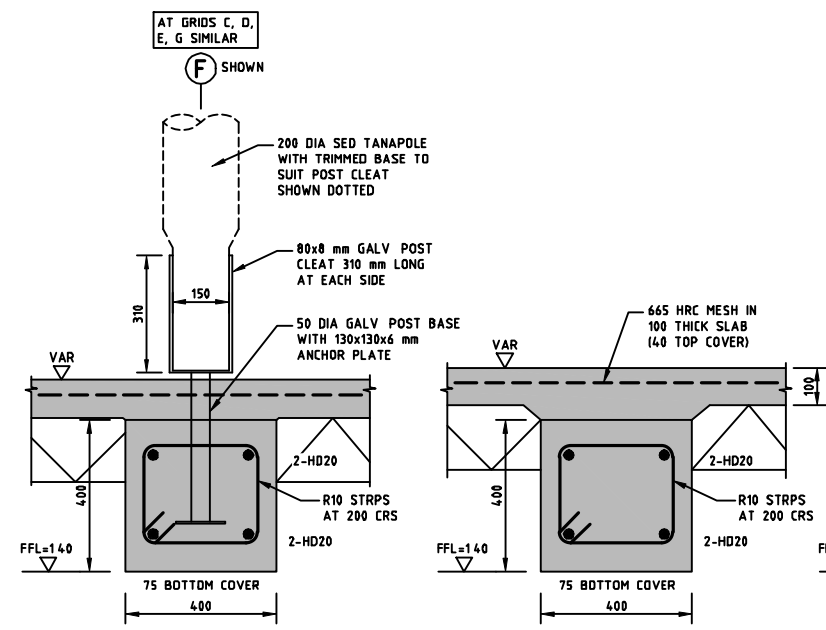
WINDOW FOOTING/SLAB DETAIL (GRID 2)
SCALE 1:10 AT A1 (1:20 AT A3)



PATIO FOOTING/SLAB EDGE (GRID 1)
SCALE 1:10 AT A1 (1:20 AT A3)

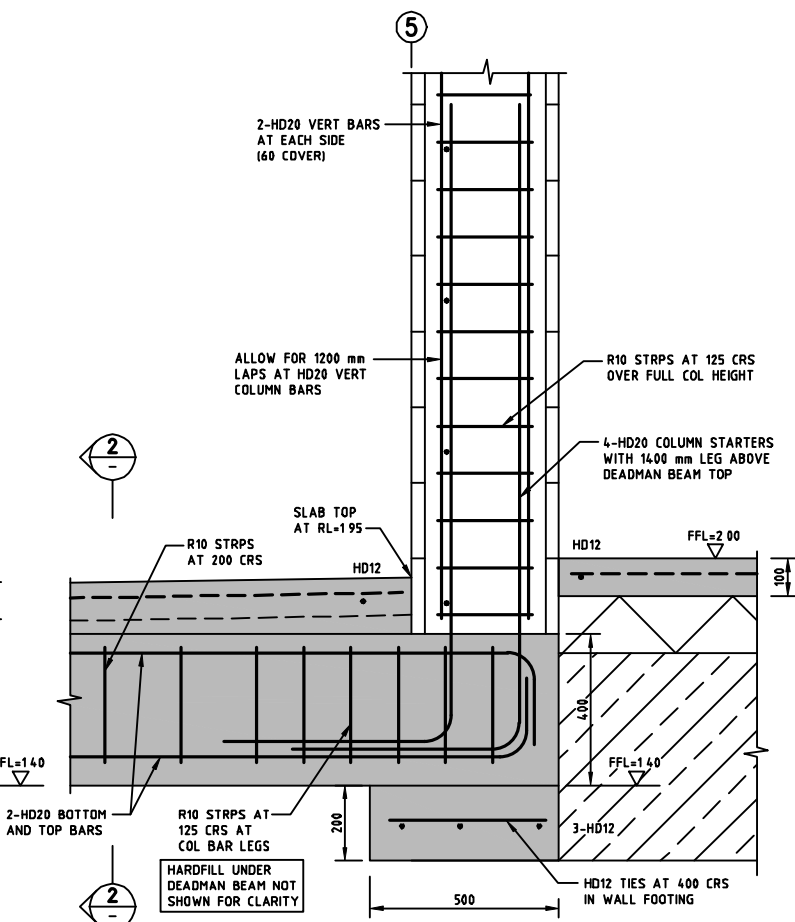


DEADMAN BEAM EDGE (GRID 6)
SCALE 1:10 AT A1 (1:20 AT A3)



SECTION 1
1:10 AT A1
1:20 AT A3

SECTION 2
1:10 AT A1
1:20 AT A3



DEADMAN BEAM/COLUMN DETAIL (GRID 5)
SCALE 1:10 AT A1 (1:20 AT A3)

FOR PRESENTATION
8 NOV 2010

SpencerHolmes
engineers · surveyors · planners

Level 6
PO Box 588
Phone (04) 472-2261
Email admin@spencerholmes.co.nz

8 Willis Street
Wellington, NZ
Fax (04) 471-2372

CLIENT
PROJECT HEAL AND PROTECT

PRINCIPAL CONSULTANT
BARRY MILLAGE
CONSULTANT ARCHITECT

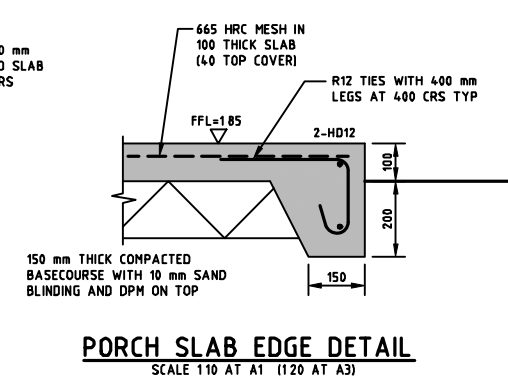
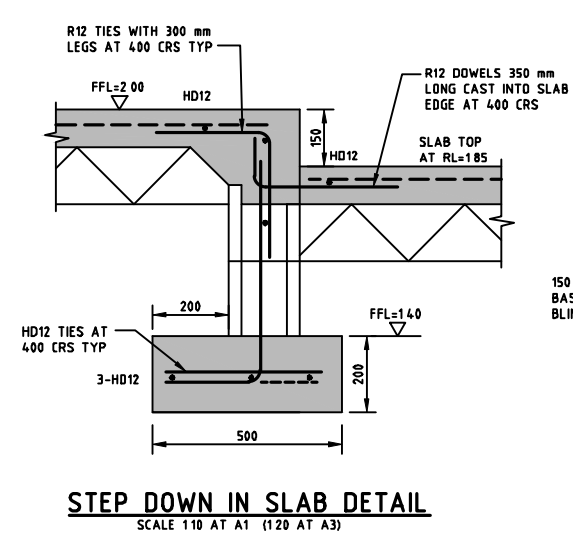
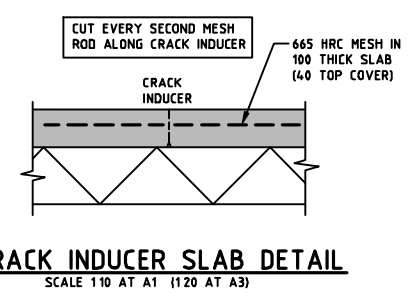
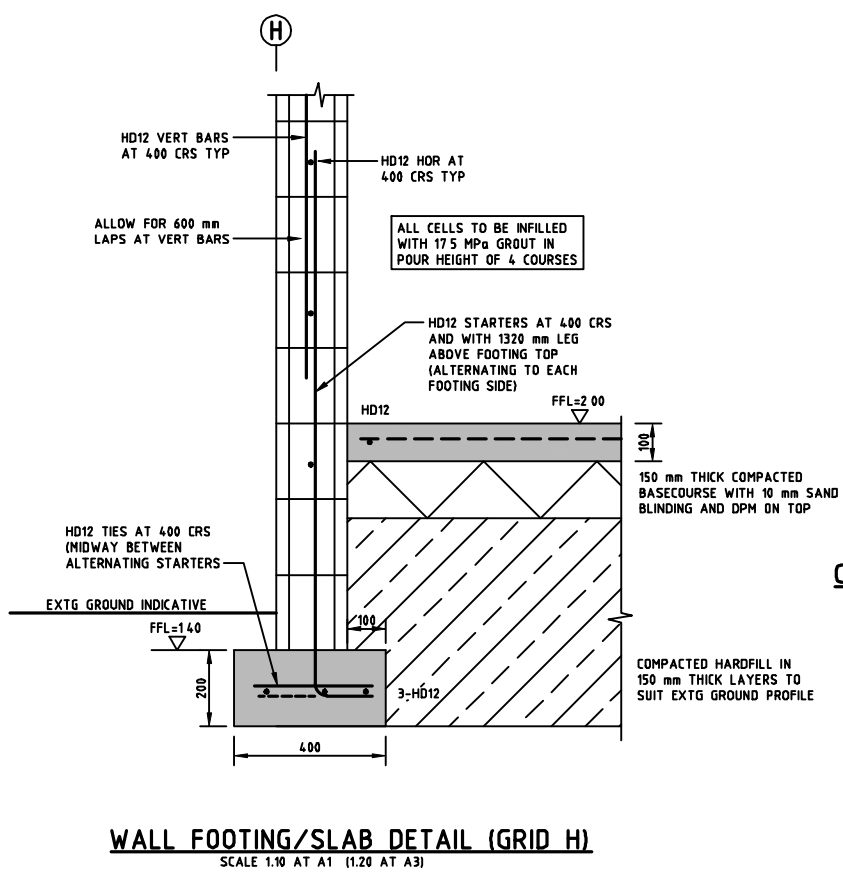
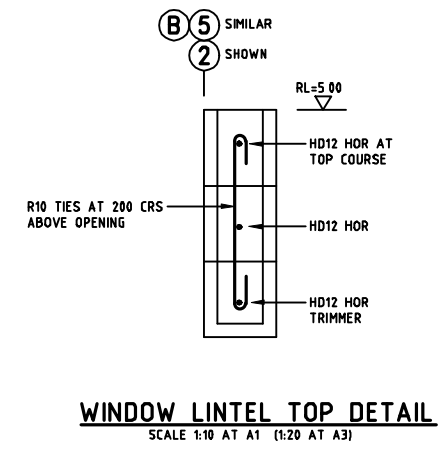
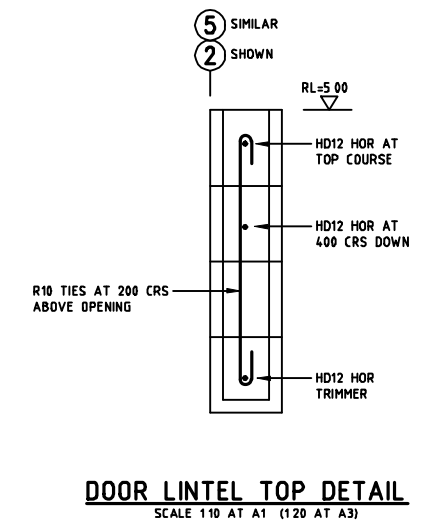
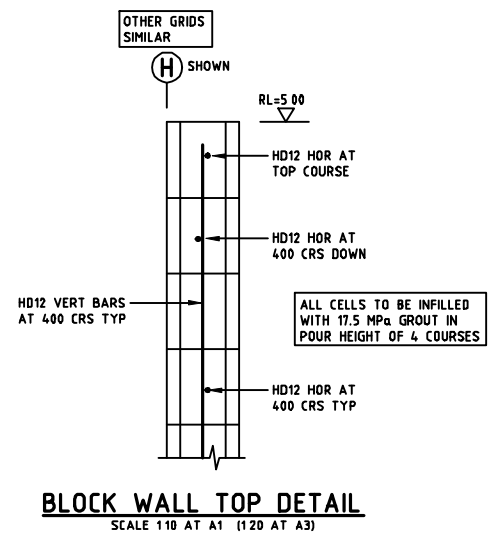
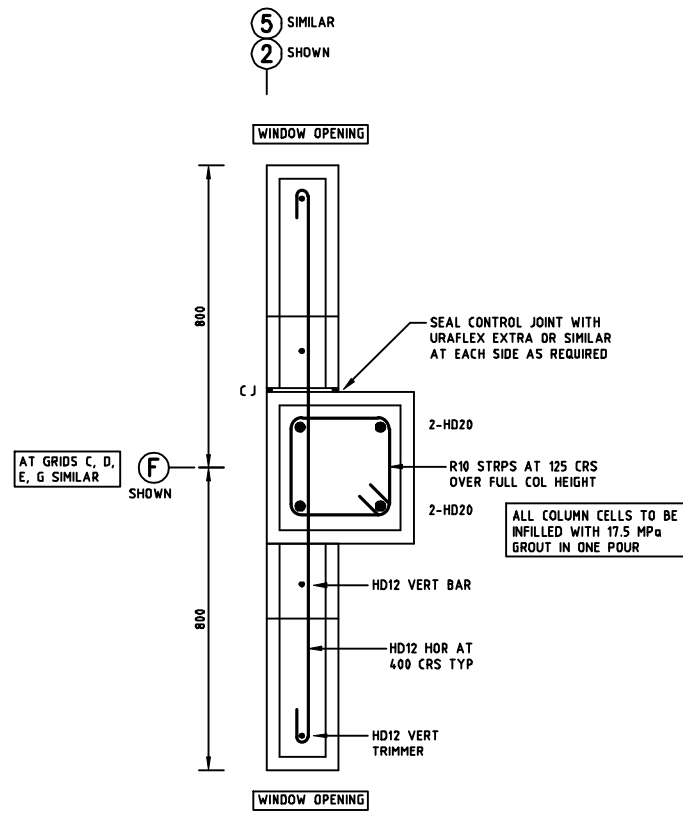
PROJECT
NEW COMMUNITY HALL
PUTASI UPOLU
SAMOA

DRAWING TITLE
TYPICAL CONCRETE AND
BLOCKWORK DETAILS

DESIGNED	KGC	CAD FILE	E09022-20
DRAWN	BB	FIELD BOOK	=
CHECKED	-	DATE	SEP 2010
SCALE	AS SHOWN	SIZE	A1
DRAWING NUMBER	E09-922-20	REV	B

NO	REVISION	BY	DATE
A	FOR TENDER	TDP	20/09/10
B	FOR PRESENTATION	BB	8/11/10

Copyright of this drawing is vested in Spencer Holmes Ltd.
The Contractor shall verify all dimensions on site.



FOR PRESENTATION
8 NOV 2010

SpencerHolmes
engineers • surveyors • planners

Level 6
PO Box 588
Phone (04) 472-2261
Email admin@spencerholmes.co.nz

8 Willis Street
Wellington, NZ
Fax (04) 471-2372

CLIENT
PROJECT HEAL AND PROTECT

PRINCIPAL CONSULTANT
BARRY MILLAGE
CONSULTANT ARCHITECT

PROJECT
NEW COMMUNITY HALL
PUTASI UPOLU
SAMOA

DRAWING TITLE
TYPICAL CONCRETE AND
BLOCKWORK DETAILS

DESIGNED KGC
DRAWN BB
CHECKED -

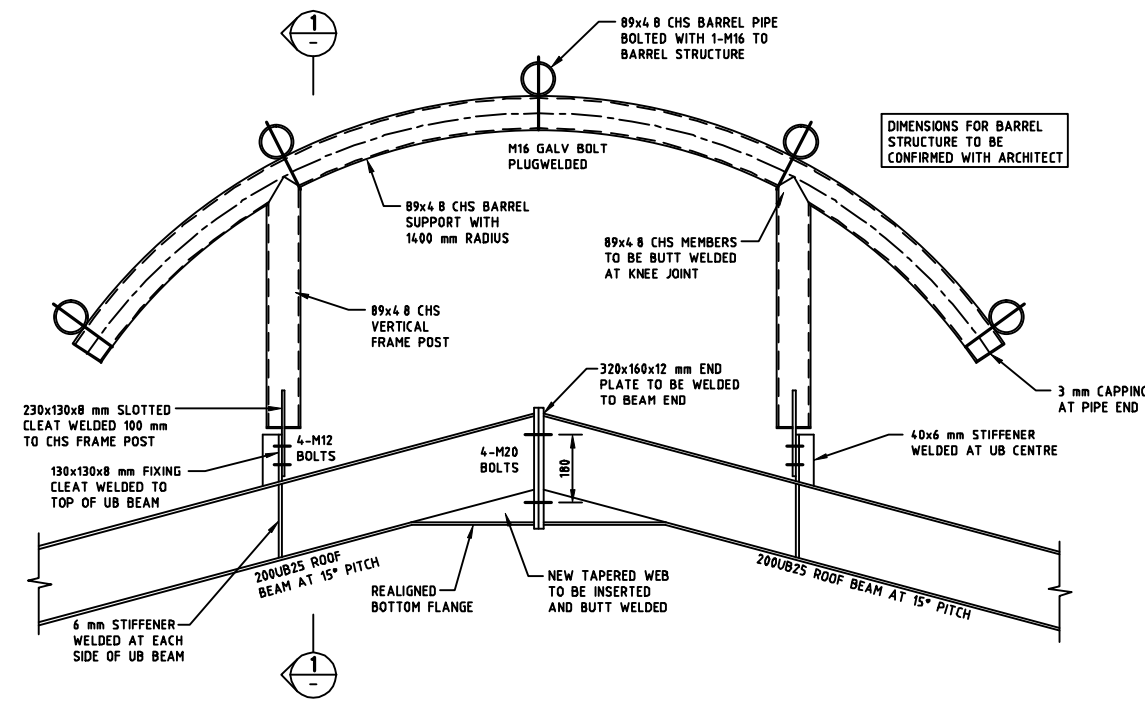
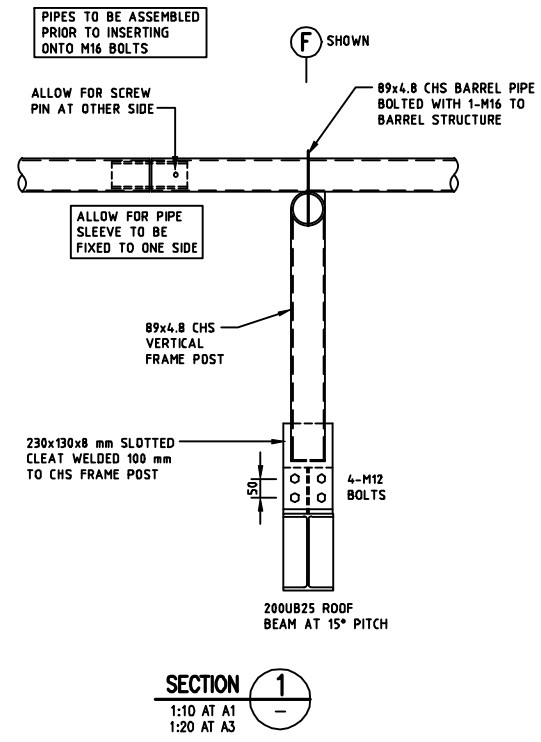
CAD FILE E09022-21
FIELD BOOK =
DATE SEP 2010

SCALE AS SHOWN SIZE A1
DRAWING NUMBER REV B
E09-922-21

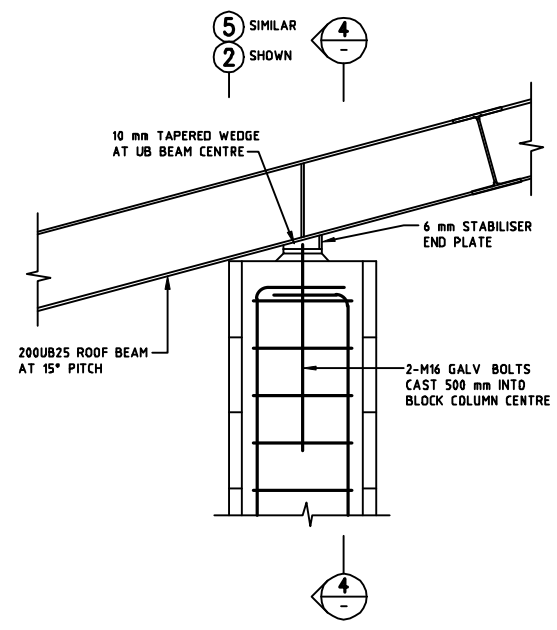
RESOURCE MANAGEMENT - LAND PLANNING - SURVEYING - STRUCTURAL - CIVIL - FIRE

NO	REVISION	BY	DATE
A	FOR TENDER	TDP	20/09/10
B	FOR PRESENTATION	BB	8/11/10

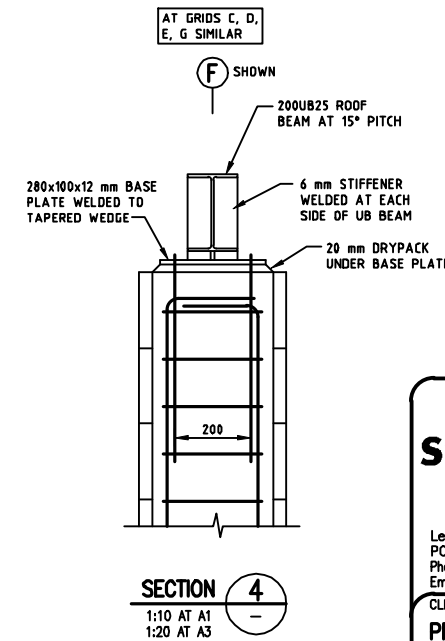
Copyright of this drawing is vested in Spencer Holmes Ltd.
The Contractor shall verify all dimensions on site.



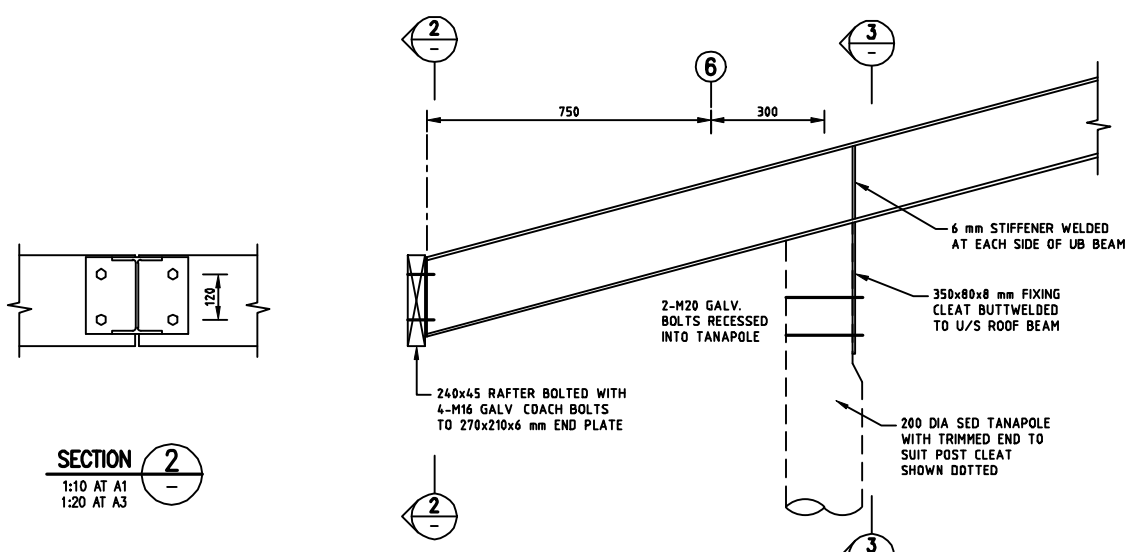
ROOF BARREL SUPPORT FIXING DETAIL
SCALE 1:10 AT A1 (1:20 AT A3)



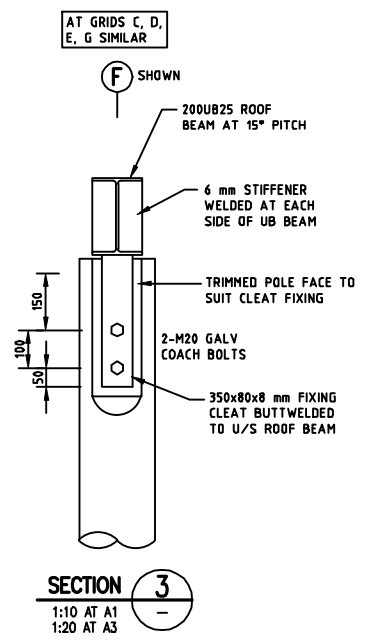
ROOF BEAM/COLUMN FIXING DETAIL
SCALE 1:10 AT A1 (1:20 AT A3)



FOR PRESENTATION
8 NOV 2010



ROOF BEAM/TANAPOLE FIXING DETAIL
SCALE 1:10 AT A1 (1:20 AT A3)



SpencerHolmes
engineers · surveyors · planners

Level 6
PO Box 588
Phone (04) 472-2261
Email

8 Willis Street
Wellington, NZ
Fax (04) 471-2372
admin@spencerholmes.co.nz

CLIENT
PROJECT HEAL AND PROTECT

PRINCIPAL CONSULTANT
BARRY MILLAGE
CONSULTANT ARCHITECT

PROJECT
NEW COMMUNITY HALL
POUTASI UPOLU
SAMOA

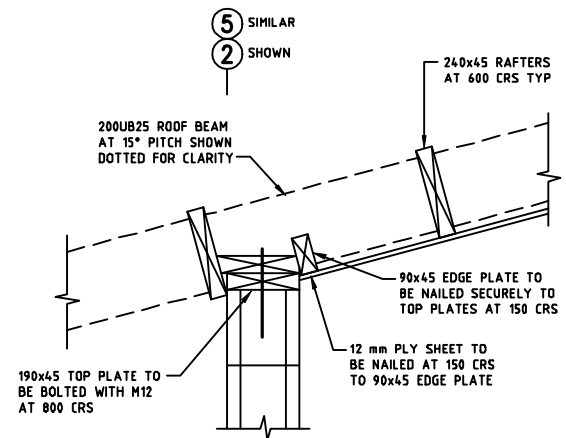
DRAWING TITLE
TYPICAL STEELWORK
DETAILS FOR ROOF BEAM
AND BARREL ROOF

DESIGNED	KGC	CAD FILE	E09022-22
DRAWN	BB	FIELD BOOK	=
CHECKED	-	DATE	SEP 2010
SCALE	AS SHOWN	SIZE	A1
DRAWING NUMBER	E09-922-22	REV	B

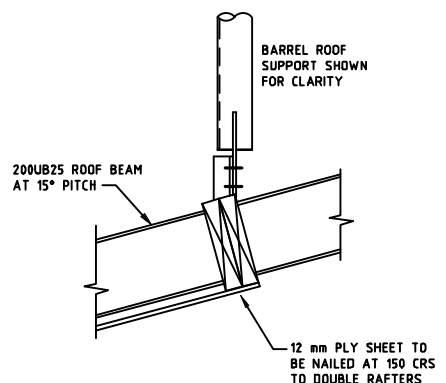
RESOURCE MANAGEMENT - SURVEYING - STRUCTURAL - CIVIL - FIRE

NO	REVISION	BY	DATE
A	FOR TENDER	TDP	20/09/10
B	FOR PRESENTATION	BB	8/11/10

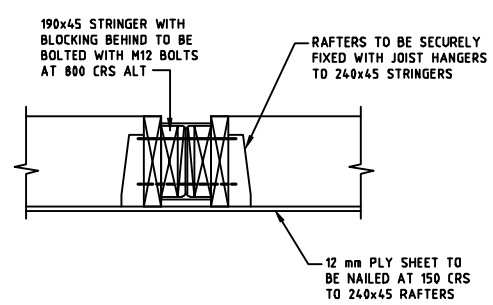
Copyright of this drawing is vested in Spencer Holmes Ltd.
The Contractor shall verify all dimensions on site.



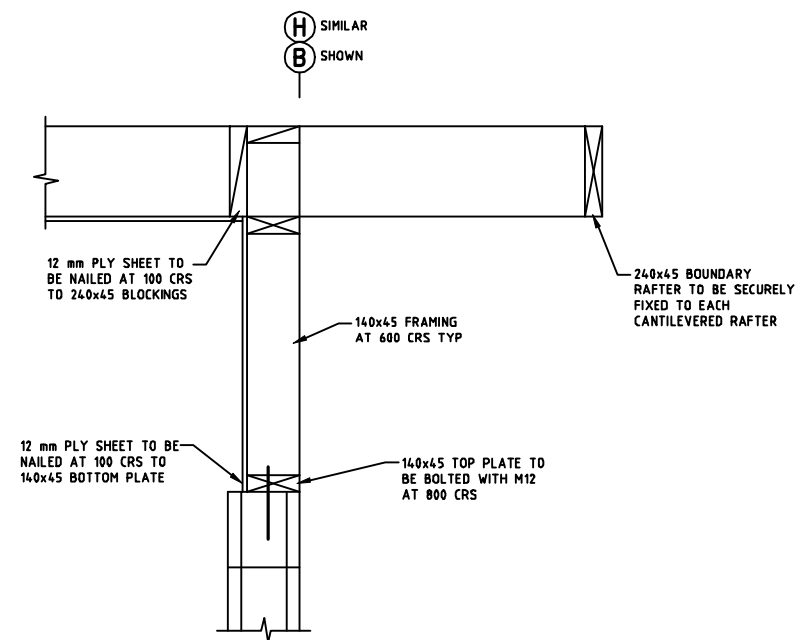
ROOF DIAPHRAGM/BLOCK WALL TOP DETAIL
SCALE 1:10 AT A1 (1:20 AT A3)



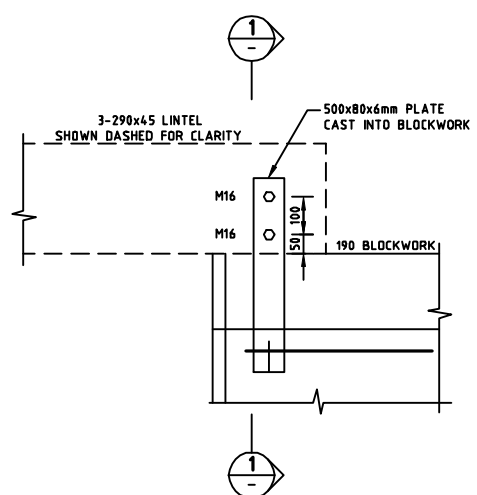
ROOF DIAPHRAGM/DOUBLE RAFTER DETAIL
SCALE 1:10 AT A1 (1:20 AT A3)



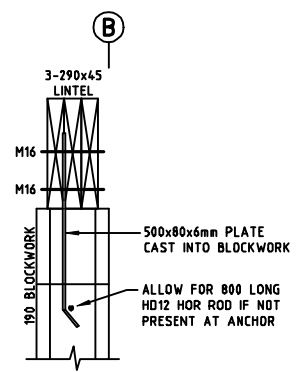
RAFTER/UB BEAM DETAIL
SCALE 1:10 AT A1 (1:20 AT A3)



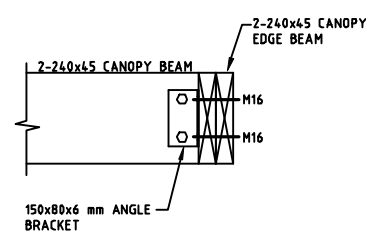
ROOF DIAPHRAGM/GABLE WALL DETAIL
SCALE 1:10 AT A1 (1:20 AT A3)



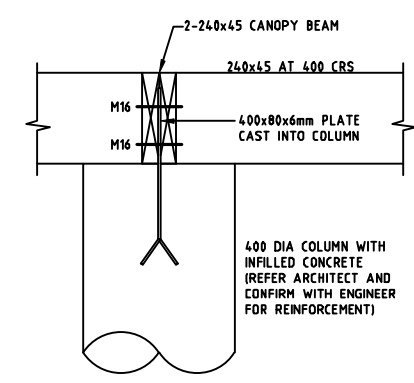
LINTEL/BLOCKWORK AT GRID B
SCALE 1:10 AT A1 (1:20 AT A3)



SECTION 1
1:10 AT A1
1:20 AT A3



CANOPY BEAM/CANOPY EDGE BEAM
SCALE 1:10 AT A1 (1:20 AT A3)



CANOPY BEAM/400 DIA COLUMN
SCALE 1:10 AT A1 (1:20 AT A3)

FOR PRESENTATION
8 NOV 2010

SpencerHolmes
engineers • surveyors • planners

Level 6
PO Box 588
Phone (04) 472-2281
Email admin@spencerholmes.co.nz

B Willis Street
Wellington, NZ
Fax (04) 471-2372

CLIENT
PROJECT HEAL AND PROTECT

PRINCIPAL CONSULTANT
BARRY MILLAGE
CONSULTANT ARCHITECT

PROJECT
NEW COMMUNITY HALL
POUTASI UPOLU
SAMOA

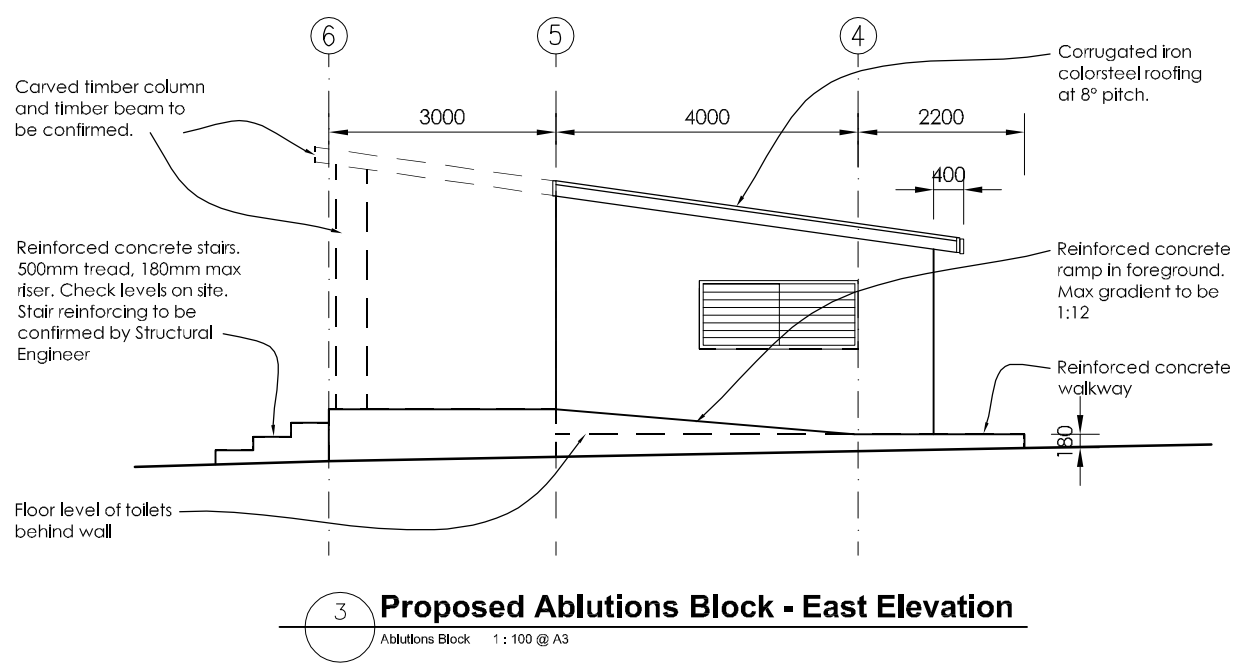
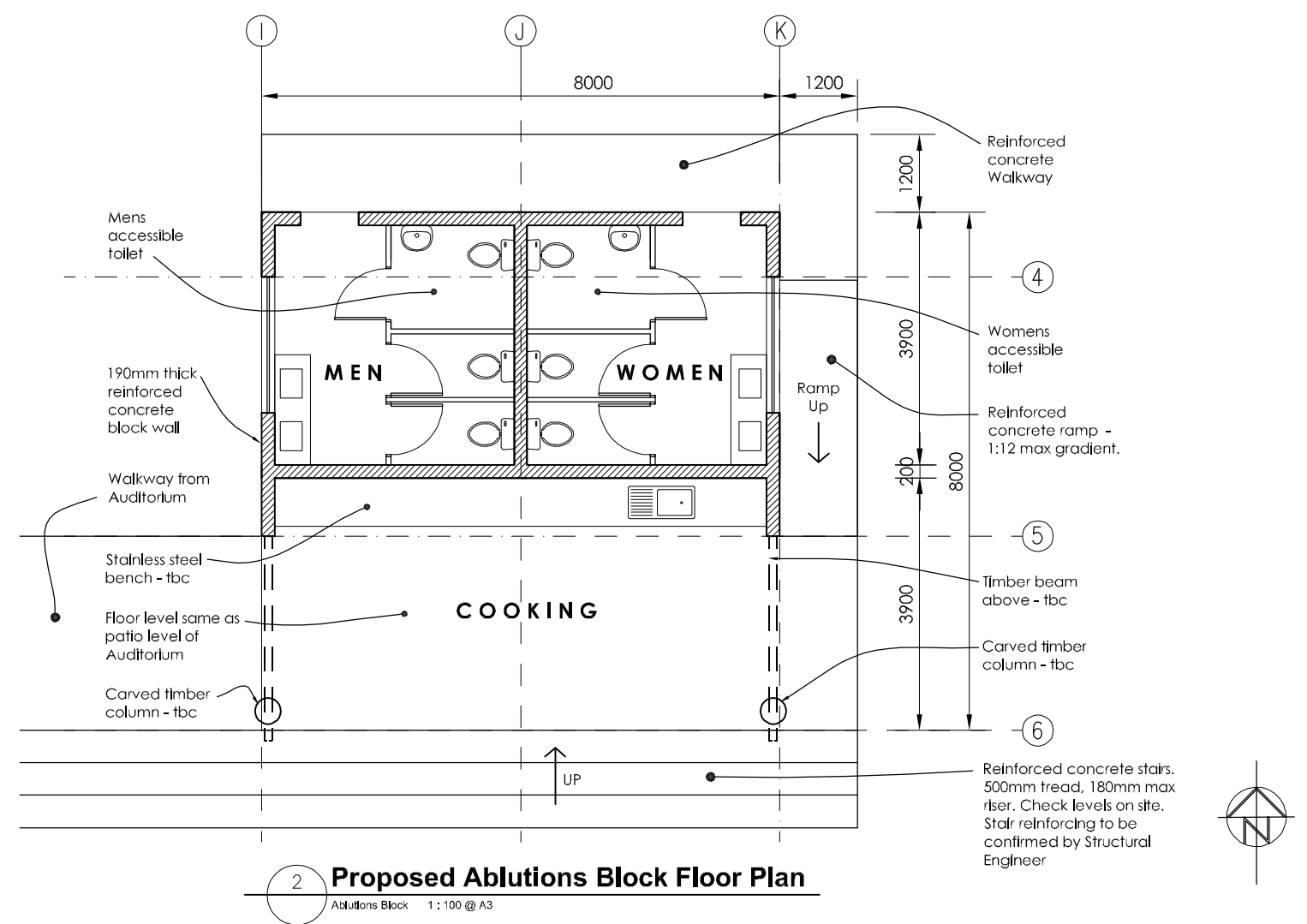
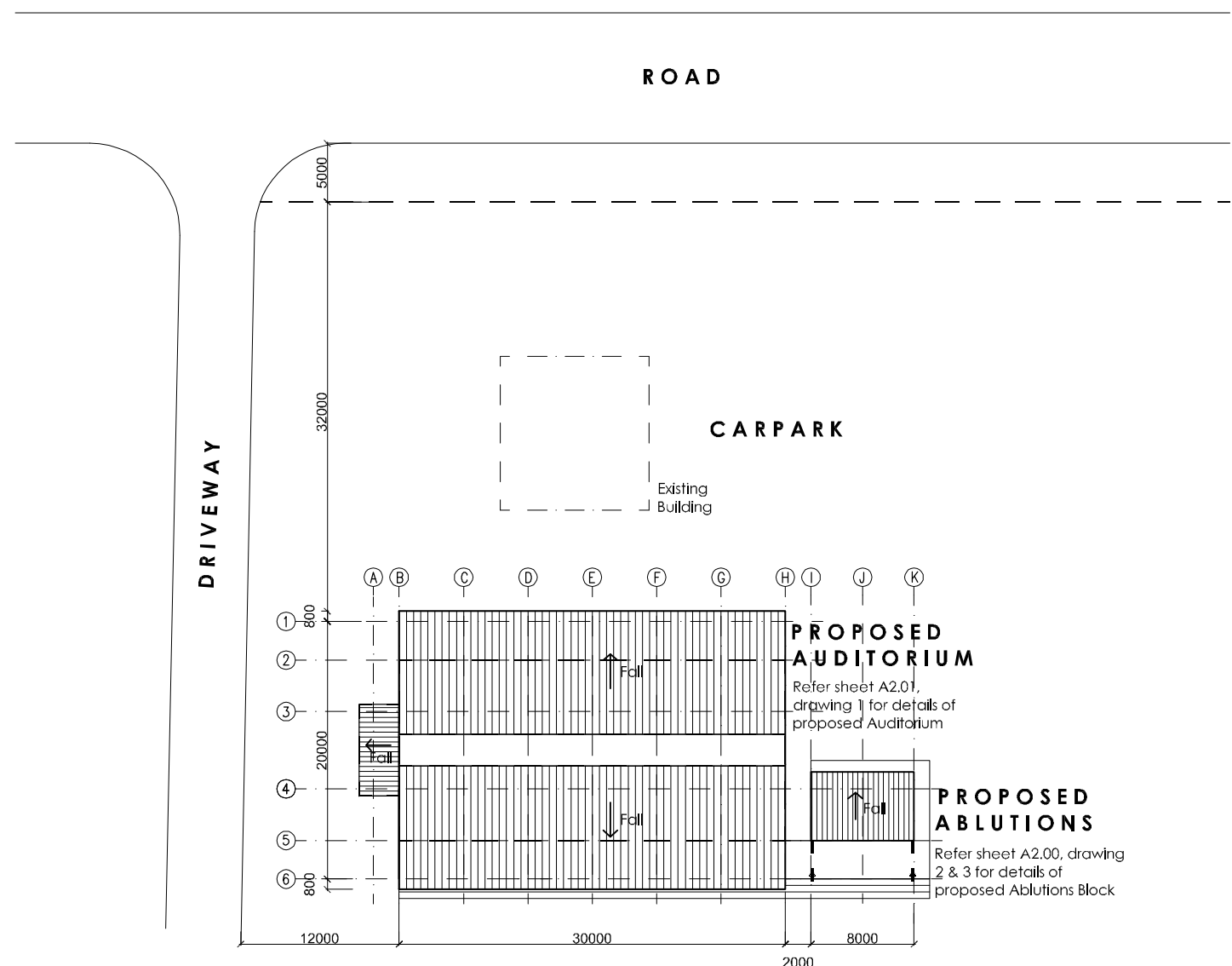
DRAWING TITLE
TYPICAL TIMBER DETAILS

DESIGNED KGC
DRAWN BB
CHECKED -

CAD FILE E090922-23
FIELD BOOK =
DATE SEP 2010

SCALE AS SHOWN
DRAWING NUMBER E09-922-23
SIZE A1
REV B

RESOURCE MANAGEMENT - LAND PLANNING - SURVEYING - STRUCTURAL - CIVIL - FIRE



1	8.11.10	Presentation
REV	DATE	DETAILS

Note: Do not scale from this drawing. Use only figured dimensions. The Contractor shall verify all dimensions on site, and report any discrepancies to the Architect before commencing work. The copyright of this drawing remains the property of DLA Architects Limited.

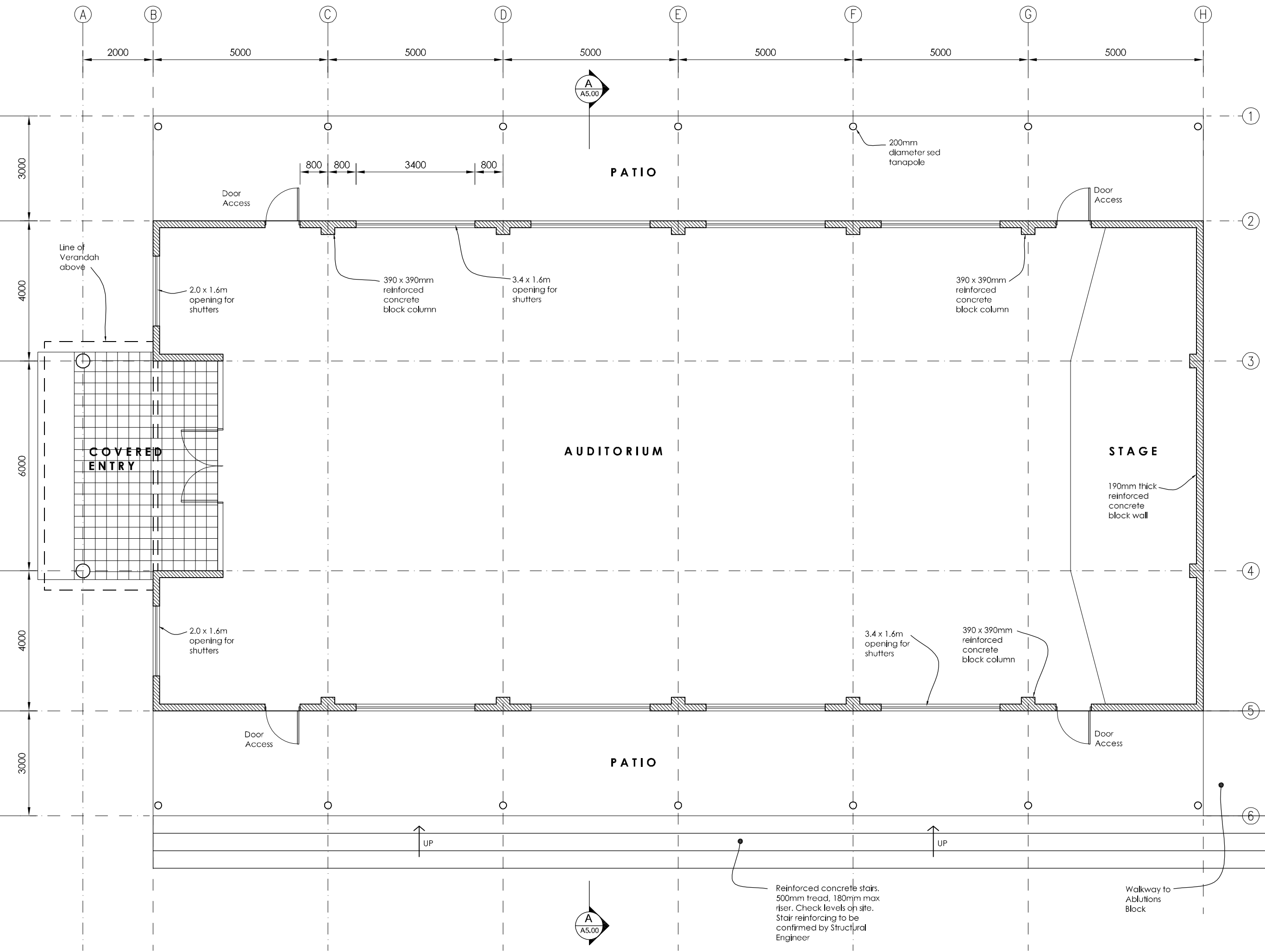
Client:
Project Heal and Protect

Project:
New Community Hall- Poutasi, Upolu Samoa

Drawing Title:
Proposed Site Plan & Ablutions Block

Scale:	Date:	Drawn:
As Shown @ A3	3.09.10	JWS
Designed:	Checked:	

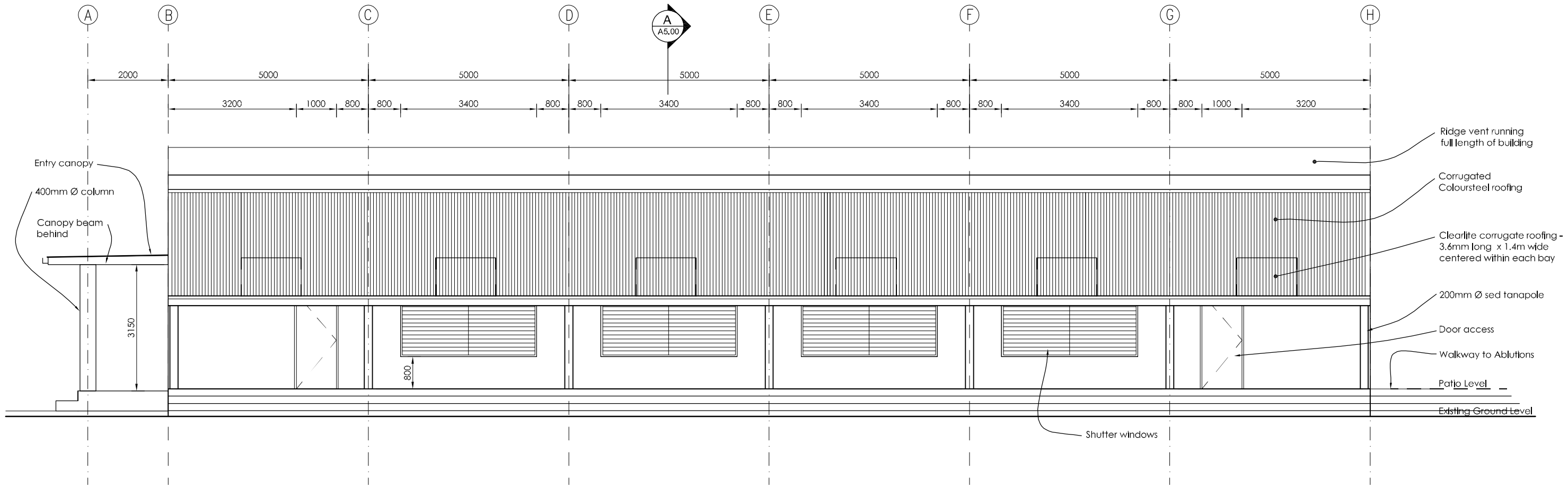
Job No.	Drawing No.	Revision No.
P623	A2.00	1



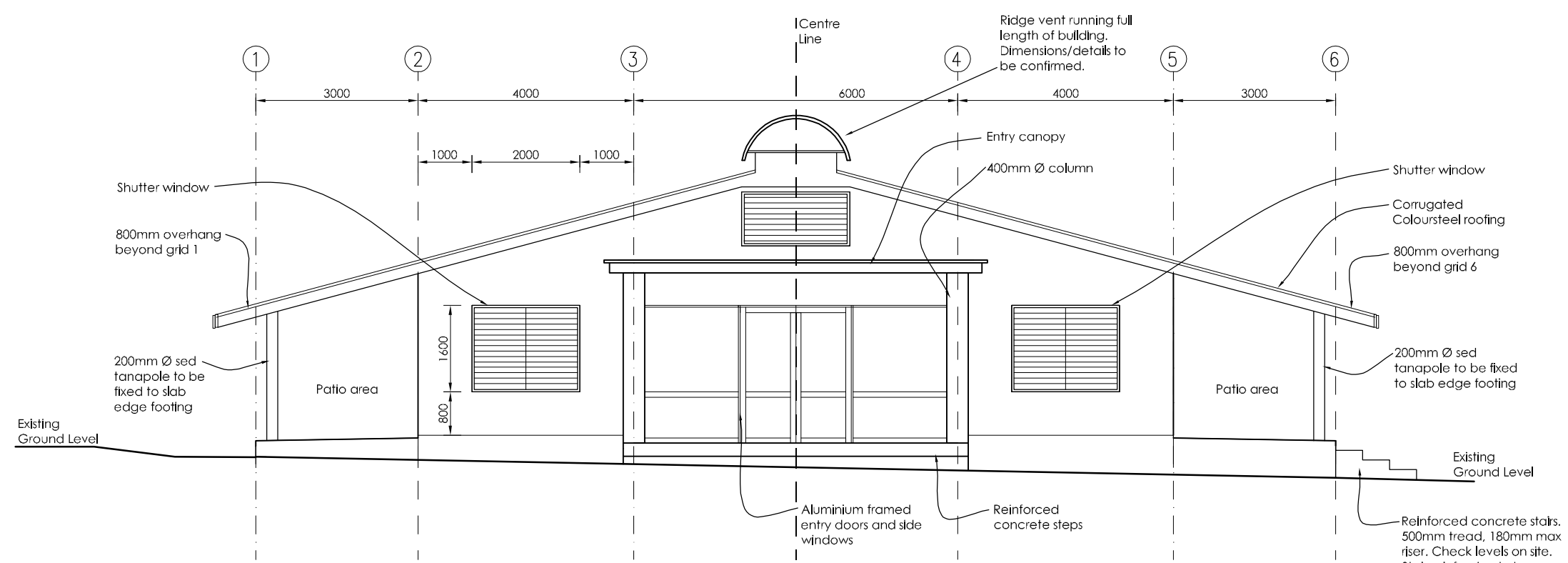
1 8.11.10 Presentation		
REV	DATE	DETAILS
<small>Note: Do not scale from this drawing. Use only stated dimensions. The Contractor shall verify all dimensions on site, and report any discrepancies to the Architect before commencing work. The copyright of this drawing remains the property of DLA Architects Limited.</small>		
Client: Project Heal and Protect		
Project: New Community Hall - Poutasi, Upolu Samoa		
Drawing Title: Proposed Floor Plan		
CAD File:		
Scale:	Date:	Drawn:
1:100 @ A3	3.05.10	JWS
Job No.:	Drawing No.:	Revision No.:
P623	A2.01	1

DLA ARCHITECTS LIMITED
www.dla.co.nz
Level 2, 12 Knigges Ave, Wellington.
Ph. (04) 381 3085 Fax. (04) 381 3086

1 Proposed Floor Plan
1:100 @ A3



1 Proposed Side Elevation
South Elevation - 1:100 @ A3



2 Proposed Front Elevation
West Elevation - 1:100 @ A3

1	8.11.10	Presentation
REV	DATE	DETAILS

Note:
Do not scale from this drawing. Use only figured dimensions.
The Contractor shall verify all dimensions on site, and report any discrepancies to the Architect before commencing work.
The copyright of this drawing remains the property of DLA Architects Limited

Client:
Project Heal and Protect

Project:
**New Community Hall-
Poutasi, Upolu Samoa**

Drawing Title:
Proposed Elevations

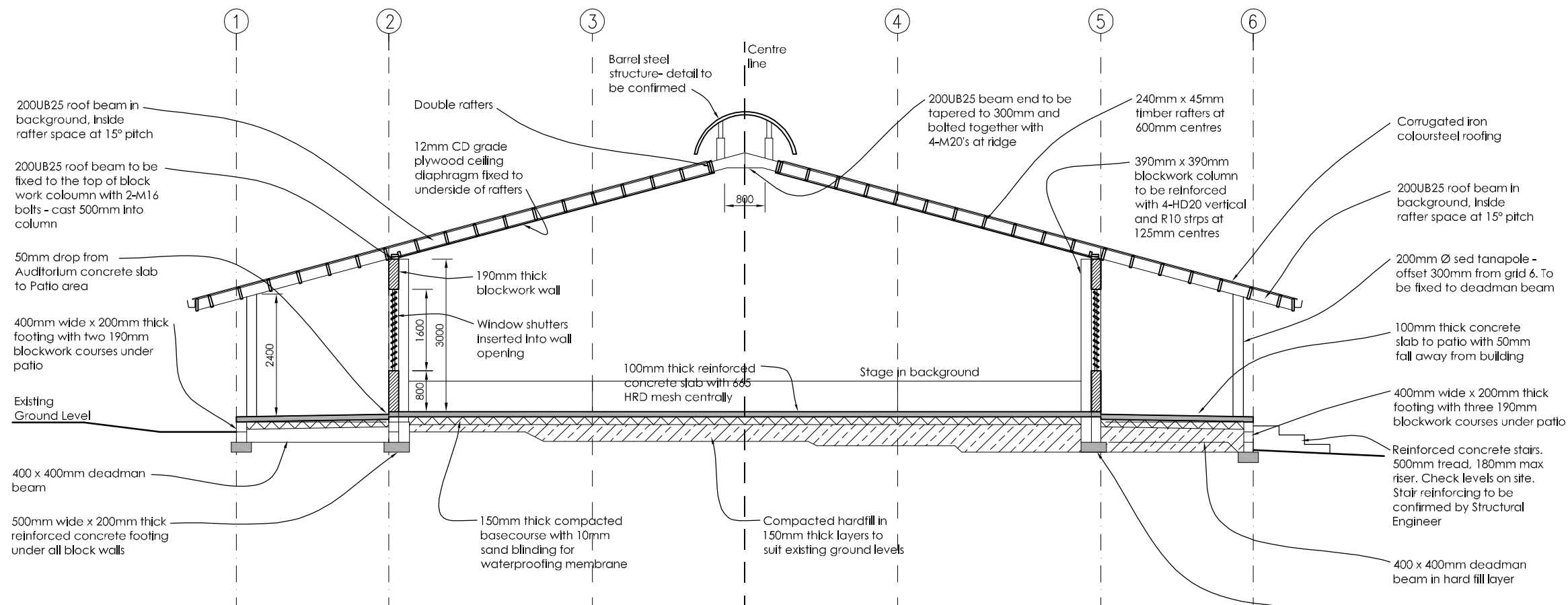
CAD File:

Scale:	Date:	Drawn:
1:100 @ A3	8.9.10	JWS
	Designed:	Checked:

Job No.	Drawing No.	Revision No.
P623	A4.00	1

DLA ARCHITECTS LIMITED
www.dla.co.nz

Level 2, 12 Knigges Ave, Wellington.
Ph. (04) 381 3085 Fax. (04) 381 3086



1 Section A-A
1:100 @ A3

REV	DATE	DETAILS
1	8.11.10	Presentation

Note:
Do not scale from this drawing. Use only figured dimensions.
The Contractor shall verify all dimensions on site, and report any discrepancies to the Architect before commencing work.
The copyright of this drawing remains the property of DLA Architects Limited

Client:
Project Heal and Protect

Project:
**New Community Hall-
Poutasi, Upolu Samoa**

Drawing Title:
Section A-A

Scales: 1:100 @ A3	Date: 8,9,10	Drawn: JWS
	Designed:	Checked:

Job No. P623	Drawing No. A5.00	Revision No. 1
-----------------	----------------------	-------------------